



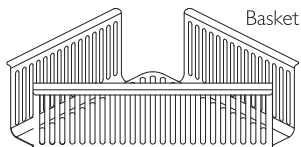
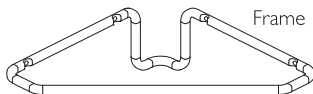
# Burford Single Corner Shower Basket

## Fitting instructions

### Included in the box:

 x 4 screws

 x 4 wall plugs



### You will also need:

Drill with 5mm masonry drill bit  
Cross head screwdriver (of appropriate length)  
Tape measure  
Spirit level  
Pencil

### Important information, please read carefully before you start:

- **If in doubt about any of these instructions, consult a qualified trades person.**
- Before starting, ensure that the wall is of a suitable strength and construction and that it is flat and even. You may need help to hold the item during marking and fixing. Ensure you will be able to remove your guide marks from the surface once the product is in position.
- The wall plugs supplied are suitable for solid stone or brick walls. For other wall types (eg plasterboard), use appropriate wall plugs.
- Before drilling, check for hidden pipes or power cables.
- Take care when using power tools, especially near water. The use of a residual current device is recommended. If in doubt refer to drill manufacturer's instructions.
- If drilling glazed tile surfaces, use a tile/ceramic drill bit for this purpose.  
**Handy tip** - using a piece of masking tape on the wall helps prevent the drill from slipping.
- Always wear suitable eye protection when drilling.
- After fixing, check the fitting at regular intervals to ensure that the screws have not become loose.
- Please retain this leaflet for future reference.

#### Warning:

**Please take extra care when fitting that you position the product correctly before attaching it to the wall.**

These products should always be fitted strictly in accordance with the fitting instructions. Robert Welch Designs Ltd cannot be held liable for damages if these instructions are not adhered to strictly.

**Please contact Robert Welch Designs if you have any queries:**

Lower High Street Chipping Campden Gloucestershire GL55 6DY UK.

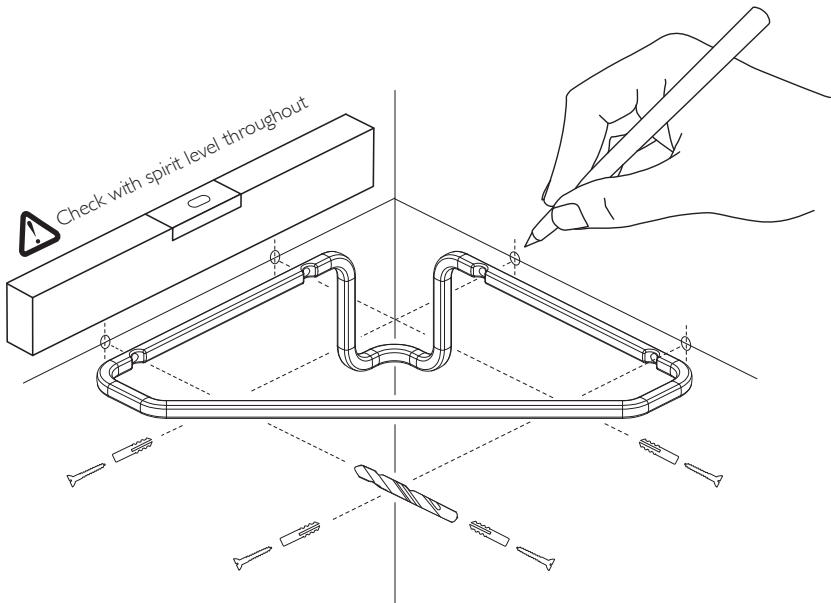
+ 44 (0) 1386 840522

email: [help@robertwelch.com](mailto:help@robertwelch.com)

[www.robertwelch.com](http://www.robertwelch.com)

Please read carefully:

- ① Position and hold the frame in a suitable location ensuring it is orientated correctly.
- ② Use a spirit level to ensure the frame is level.



- ③ Mark one hole using the frame as a template.
- ④ Carefully drill the marked hole. Insert a wall plug and screw the frame to the wall using an appropriate length screwdriver.
- ⑤ Use the frame to mark the remaining holes. Remove the frame and drill the remaining holes.
- ⑥ Insert the remaining wall plugs and screws.  
**⚠** Do not overtighten the screws.  
If the wall is not perfectly square and therefore the corner not exactly 90°, ensure the frame does not deform when tightening the screws.
- ⑦ Slide the basket tightly into position downwards into the frame.