


Fitting instructions

Included in the box:

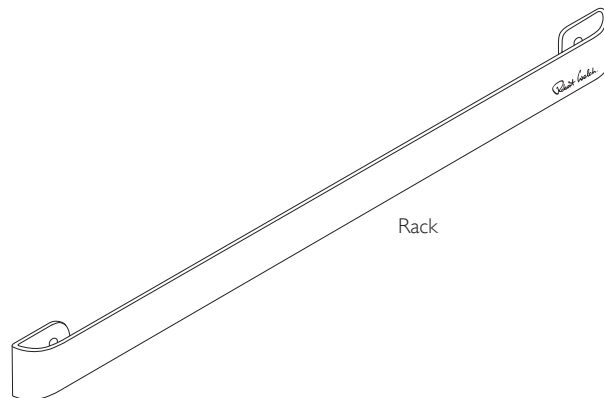
× 2 screws 

× 2 wall plugs 

You will also need:

Drill with 8mm masonry drill bit*
Cross head screwdriver
Spirit level
Pencil

*8mm masonry drill bit only required when using wall plugs provided



Important information, please read carefully before you start:

- If in doubt about any of these instructions, consult a qualified trades person.
 - Before starting, ensure that the wall is of a suitable strength and construction and that it is flat and even. You may need help to hold the item during marking and fixing. Ensure you will be able to remove your guide marks from the surface once the product is in position.
 - The wall plugs supplied are suitable for solid stone or brick walls. For other wall types (eg plasterboard), use appropriate wall plugs.
 - Before drilling, check for hidden pipes or power cables.
 - Take care when using power tools, especially near water. The use of a residual current device is recommended. If in doubt refer to drill manufacturer's instructions.
 - If drilling glazed tile surfaces, use a tile/ceramic drill bit for this purpose.
- Handy tip** - using a piece of masking tape on the wall helps prevent the drill from slipping.
- Always wear suitable eye protection when drilling.
 - After fixing, check the fitting at regular intervals to ensure that the screws have not become loose.
 - Please retain this leaflet for future reference.

Warning:

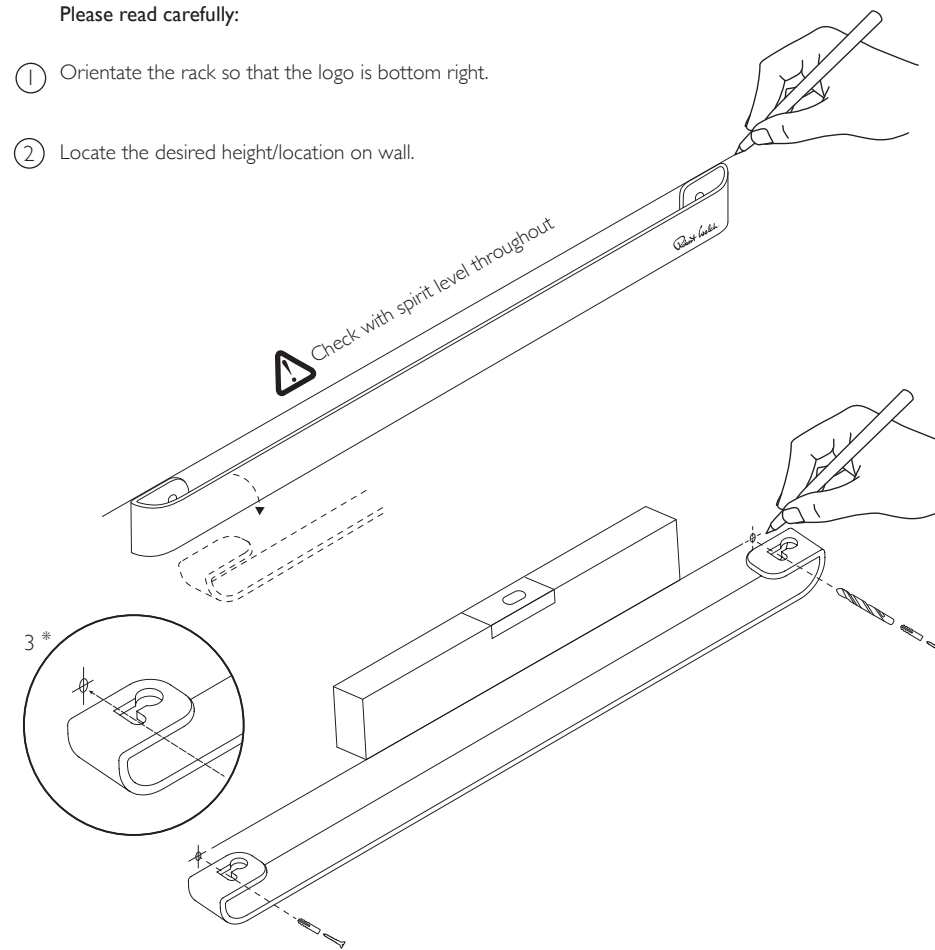
Please take extra care when fitting that you position the product correctly before attaching it to the wall. These products should always be fitted strictly in accordance with the fitting instructions. Robert Welch Designs Ltd cannot be held liable for damages if these instructions are not adhered to strictly.

Please contact Robert Welch Designs if you have any queries:

Lower High Street Chipping Campden Gloucestershire GL55 6DY UK.
+ 44 (0) 1386 840522
email: help@robertwelch.com
robertwelch.com

Please read carefully:

- 1 Orientate the rack so that the logo is bottom right.
- 2 Locate the desired height/location on wall.



3

Rotate as per image and mark centres, see above* (the distance between holes may vary).

4

Check with a spirit level that the 2 marked holes are horizontal.

5

Drill holes. Insert the wall plugs and screws. See note.

6

Position the rack over the screws, slide to the right, then push down and lock into position. If necessary adjust the screws accordingly.

Note. When Drilling the holes allow for the final position of the rack which will move down by 4mm as it is locked into place